

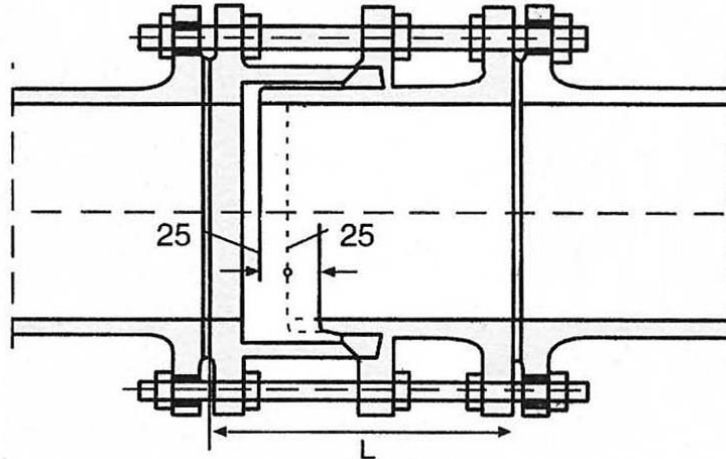


DISMANTLING JOINT T-KBz (F3)

Nominal pressure:
PN 10/16/25/40

Flange connection:
ISO 2531

Hygienic cert. PZH:
HK/W/0256/01/2007



Dismantling Joint T-KBz (F3), lockable pieces, designed for installation and removal of fittings and valves.

Sealing: *EPDM*

Material: Ductile Iron GGG-40

Bolts (DIN 957) and Nuts: *zinc plated*

Anticorrosion protection (OPTIONS):

- internally and externally coated with bitumen, admitted to contact with drinking water
- epoxy powder coating EKB (electrostatic plastic coating, according to RAL-G2662)

Tensile Strength	Min. 420 N/mm ²
Elongation	Min. 5%
Proof Stress	Min. 300 N/mm ²
Hardness	Max. 250 HB

DN	dimensions L [mm]				weight [kg]			
	PN				PN			
	10	16	25	40	10	16	25	40
100	200	200	220	240	28	29	43	54
150	200	200	230	250	45	47	70	89
200	220	220	230	250	64	69	101	128
250	230	230	250	270	84	101	137	175
300	250	250	250	270	95	122	182	253
350	260	260	270	290	126	169	260	374
400	270	270	280	300	162	211	325	462
450	270	270	280	300	182	247	364	515
500	280	280	300	320	211	312	429	612
600	300	300	320	340	267	436	572	842
700	300	300	340	420	390	555	870	1301
800	320	320	360	450	533	720	1200	1811
900	320	320	380	480	612	825	1335	1980
1000	340	340	400	500	675	1080	1920	3243
1200	360	360	450	500	1125	1665	2807	4443

- INNE WYKONANIA NA ZAPYTANIE -